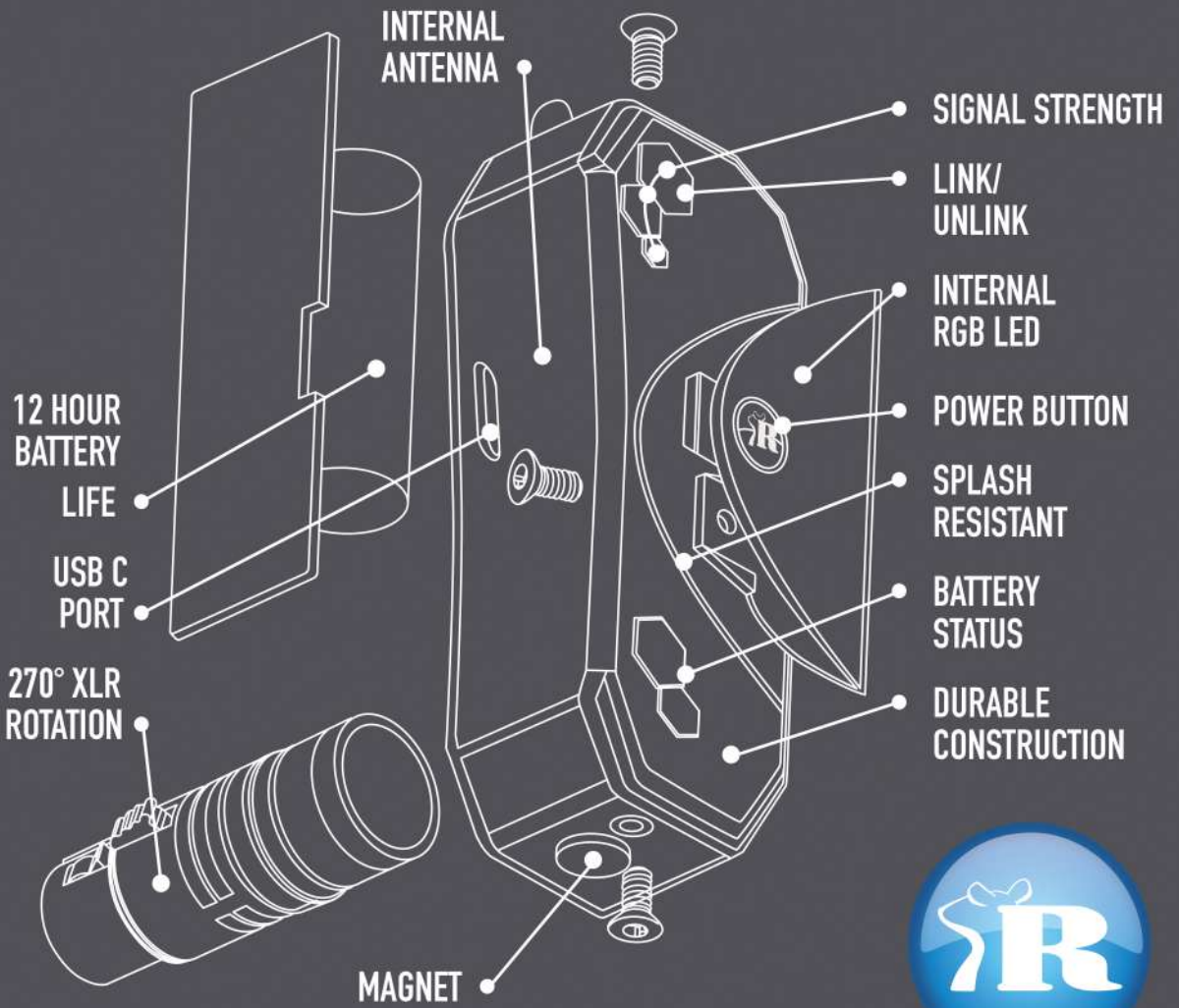


CiNTEENNA 2[®]

— TRANSCIVER —



AVAILABLE IN 8 COLORS!



BLUE STEEL



RACING GREEN



ORANGE COOKOO



RON BURGUNDY



RATPAC BLUE



LUMINOUS GREEN



PURE ORANGE



GRANITE GREY

With just a few presses of a button The Cintenna 2® can be a CRMX Receiver or transmitter. Like previous RatPac Cintennas, this transceiver is designed to maintain a reliable connection with any CRMX-enabled device, now with additional features and improvements to elevate your rig with a superior level of control.

Power ON/OFF

To power the Cintenna 2® on, press and hold the center RatPac logo button for three seconds and then release. The RatPac logo button will illuminate. To power off, press and hold again for three seconds, then release. The unit will go dark.

Getting Connected – Basics

The Cintenna 2® operates within a single 512-channel DMX universe and can communicate with any CRMX-capable devices.

By default, your Cintenna 2® ships in Receive mode. Below are instructions to switch between the modes and operate the device.

To use as Receiver:

1. Power on the device
2. The device ships in receive mode and is ready to link directly.
3. If already linked to a previous device, you must first unlink by pressing and holding the green link button. The Green indicator light will go out, confirming the unit is unlinked.
4. Connect to the male 5-pin IN port of your lighting fixture.
5. The signal strength lights will confirm the Cintenna 2® is connected to a transmitting device and indicate signal strength.
6. To unlink from the transmitting device, press and hold the green signal button for (3) seconds, then release.

To use as a Transmitter:

1. Power on the device.
2. Press the center RatPac logo button rapidly (3) times. The logo will blink until configuration is complete.
3. Connect a male-to-male adapter to the swiveling XLR port, then connect to your control source.
4. With all CRMX receivers in that universe powered on and ready to connect, quick press the green signal button once and release. The Cintenna 2® link button will flash until connections are finalized.
5. To unlink all connected receivers, press and hold the green signal button for (3) seconds. All devices will unlink.

If the unit is powered ON in TX Mode it must be switched to RX Mode and back again to TX Mode to transmit data.

NOTE: TX power is limited in TiMo 2 to 100mW

Switching between TX and RX modes:

1. Press the RatPac logo button 2X rapidly. The Green signal strength button should illuminate indicating you are in RX mode.
2. If the unit does not go into RX mode press the RatPac logo button 3X going back into TX mode.
3. Press the RatPac logo button 2X to go into RX mode.

Using I.D. Mode:

1. While in TX mode press the green link button 2X rapidly.
2. The unit will blink rapidly while displaying LED color change in the translucent window.
3. Any receivers linked to the Cintenna 2 in TX mode will blink rapidly indicating they are connected.
4. To go back into TX mode press the green link button 2X rapidly. Note: The unit may still be sending data while in ID mode.

Technical Specifications

Transmitter Output power levels selectable via built in Bluetooth and downloading the CRMX Tool Box app: 100mW, 35mW, 10mW. Switchable from Transmitter to a Receiver with the press of a button. Firmware updates via built in Bluetooth

Power: Contains a 3.7 V 1700mAH rechargeable Lithium battery. Can also be powered by provided AC to USB adapter. For technical or operating questions, or to find support in your area, visit us at:

<https://www.ratpaccontrols.com/contact/los-angeles/>

Maximizing Range:

When transmitting to Cintenna 2[®] using a RatPac Satellite or Cintenna 2[®] in TX Mode, maximum line-of-sight range is 250 Meters. It is recommended to elevate both transmitter and receiver above head level for best results.

For long-range applications use the RatPac AKS+ as your transmitter, adjusting its directional antenna or output power level (max 250mW output).

Cintenna 2[®] in Receive Mode will reflect the assigned Universe identification color when connected to TiMoTwo-enabled CRMX devices such as RatPac Satellite and Cintenna 2[®] in Transmit Mode.

Battery Life:

The Cintenna 2[®] charges from 0% to full in about two hours using a 120V AC to 5V DC adapter.

Charging times may vary depending on USB Power source. The Cintenna 2[®] operates for up to 12 hours on a full charge. The device can simultaneously operate and charge while plugged in to a USB power source.

The Red Battery Low indicator light will flash increasingly rapidly when battery level is under 40%, and glow solid when battery level is under 20%.

The green Battery Charge indicator flashes when charging, becoming solid when fully charged.



CRMX Toolbox App:

The CRMX Toolbox App is a free application provided by LumenRadio AB that can be used to access information and customize settings within your Cintenna 2[®] device.

With The CRMX Toolbox App you can...

- Change the color of your Cintenna 2's universe
- Change your device's name
- Toggle Identification Mode to help pinpoint which device you're working with
- Set a security pin for your device
- Digitally switch the device between TX and RX modes
- Check your battery level
- Adjust power output on the device
- Access even more levels of customization

CRMX Toolbox is available on Google Play and the App Store.

FCC DECLARATION OF CONFORMITY

We LumenRadio AB Svagatan 2B, 41668 Gothenburg, Sweden, declare under our sole responsibility that 800-8105, TiMo RX RDM and 800-8106, TiMo FX RDM, comply with Part 15 of FCC Rules. Operation is subject to the following two conditions: This device may not cause harmful interference. This device must accept any interference received, including interference that may cause undesired operation.

FCC RADIO FREQUENCY INTERFERENCE WARNINGS & INSTRUCTIONS

This equipment has been tested and found to comply with the limits for a Class B digital device, pursuant to Part 15 of the FCC Rules. These limits are designed to provide reasonable protection against harmful interference in a residential installation. This equipment uses and can radiate radio frequency energy and, if not installed and used in accordance with the instructions, may cause harmful interference to radio communications. However, there is no guarantee that interference will not occur in a particular installation. If this equipment does cause harmful interference to radio or television reception, which can be determined by turning the equipment off and on, the user is encouraged to try to correct the interference by one or more of the following methods:

- Reorient or relocate the receiving antenna.
- Increase the separation between the equipment and the receiver.
- Connect the equipment into an electrical outlet on a circuit different from that which the radio receiver is connected.
- Consult the dealer or an experienced radio/TV technician for help.

Modifications made to the product, unless expressly approved by LumenRadio AB and RatPac Controls, could void the user's right to operate the equipment as per their country's regulations.

Recycling and Disposal: Device contains Li-ion battery, do not discard in trash.
For disposal, please deposit at an appropriate recycling facility or simply send to:
RatPac Controls 7508 Tyrone Ave. Van Nuys, CA 91405 United States of America

INDUSTRY CANADA STATEMENT

This digital apparatus does not exceed the Class B limits for radio noise emissions from digital apparatus set out in the Radio Interference Regulations of the Canadian Department of Communications.

Le présent appareil numérique n'émet pas de bruits radioélectriques dépassant les limites applicables aux appareils numériques de la classe B prescrites dans le Règlement sur le brouillage radioélectrique édicté par le ministère des Communications du Canada.

CE

RatPac Controls declares that the Cintenna product family (AKS, TX, RX, and RX Battery) complies with the essential requirements and other relevant provisions of CE standards for safety and RF exposure. LumenRadio declares that 800-8105 TiMo RX RDM and 800-8106 TiMo FX RDM comply with the Essential Requirements of RED (Radio Equipment Directive) of the European Union (2014/53/EU).

TiMo RX RDM and TiMo FX RDM meet the ETSI EN 300 328 V1.8.1 and ETSI EN 300 328 V1.9.1

conformance standards for radio performance.

FCC ID: XRSTIMOMWAN201

IC: 8879A-TIMOMWAN201

No User Serviceable parts inside. • Contains UN DOT 38.3 Compliant Lithium Ion Battery (1700mAh).

Please follow proper disposal and recycling procedures. Do not incinerate. For Indoor Use Only.

RATPAC CONTROLS LIMITED WARRANTY

We warranty all workmanship and parts to be free of defect and to work as intended for the specific product's designed use for two years from the date of purchase. Accidents, deliberate breakage and/or misuse of the products voids the warranty. We will repair or replace at our discretion parts or whole units in order to remedy issues with workmanship and/or functionality of the products provided the products were used for their intended purpose and in conditions suitable for electronic devices. All buyers understand that electronics involving control via DMX or WiFi are only as good as the system in which those products work. Since it is assumed that our products will be used in conjunction with DMX controls and/or products that we do not manufacture the buyer accepts responsibility for understanding and implementing the use of our products in the context of a larger lighting control system which may or may not include third party products and RatPac Controls products. Since we have no control of the environments the products are used in we do not warranty the cosmetic finish, whether paint, vinyl or silk screen. If the product has been modified by the buyer the warranty is void. If the buyer's product has been modified at RatPac Controls the warranty will be extended 2 years on the new parts and workmanship performed by RatPac Controls. If RatPac Controls is at fault in a warranty issue we will cover the cost of shipping the products to and from the service location of our choosing provided we chose the method of shipping. If we determine that the product has been damaged by using incorrect voltage or otherwise not cared for in an appropriate manner the warranty is void. RatPac Controls is not liable for incidental or consequential damages associated with the use of this product. RatPac and Innovative Dimmers liability will not exceed the purchase value of the product. Warranty claims must be accompanied with proof of purchase including date of purchase and must be made in writing and cannot be transferred or sold to any party or individual.